

**B550112**

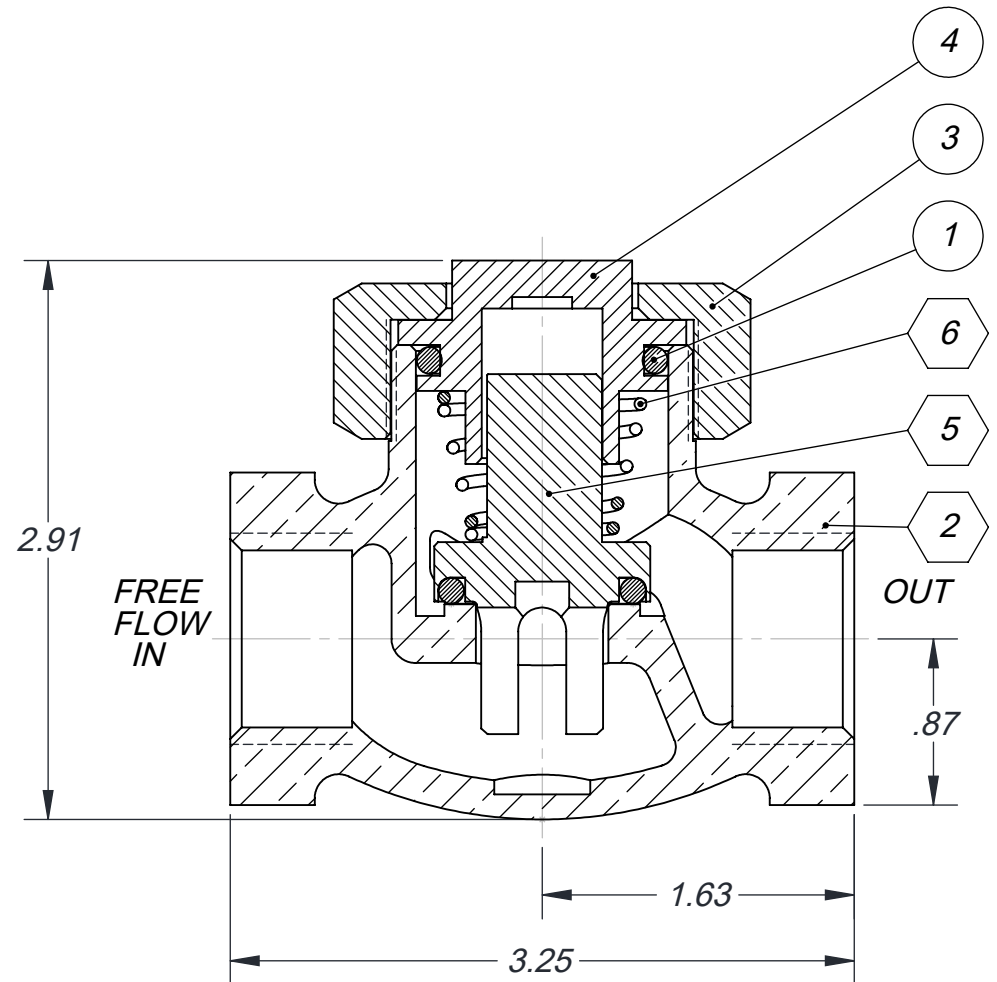
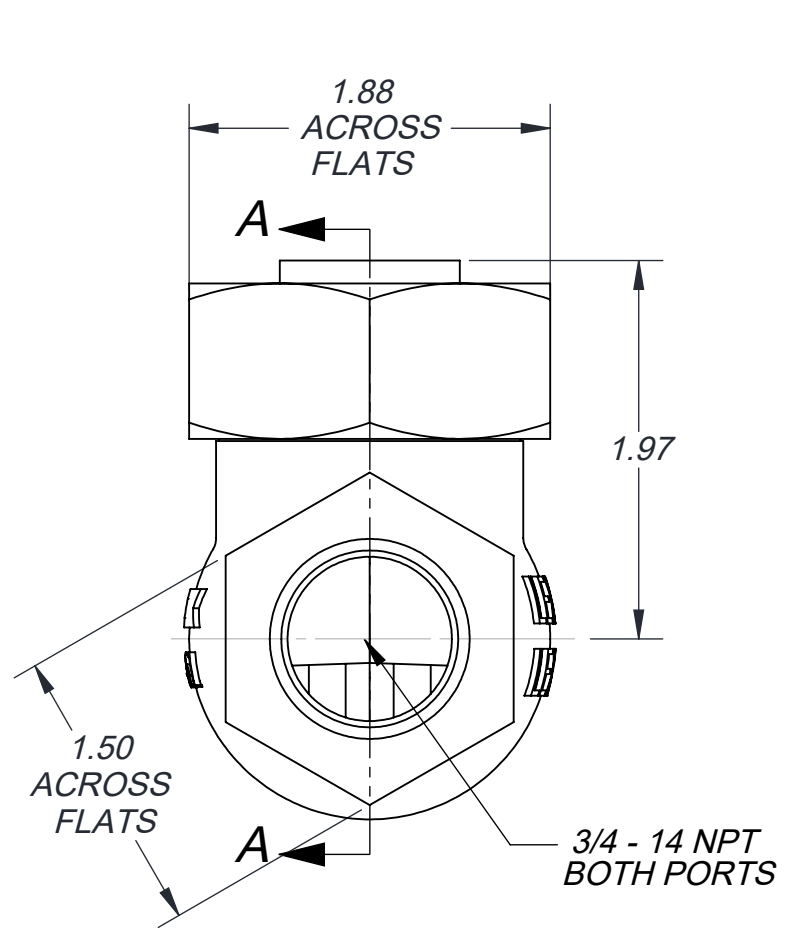
**550112 - SM**

ITEM NO.	PART NUMBER	DESCRIPTION	QTY.
1	04-01-215	O-RING	1
2	20-0013	BODY, 3/4"	1
3	20-0076	NUT, HEX	1
4	20-0077	GUIDE, POPPET	1
5	20-0079	POPPET ASSY. VITON, 90 DUR.	1
6	20-1329	SPRING, CONICAL, 16LB/IN	1

SEAL MATERIAL OPTIONS (SM)			
CODE	MATERIAL	O-RING	POPPET ASSY PART NO.
STD	BUNA - N+VITON	04-01-215	20-0079
-25	MOLY CTD BUNA		
-26	VITON	04-09-215	20-0079
-28	VITON+TEFLON		
-29	EPR		
-32	TEF+EPR+VIT		

- NOTES:
- PARTS IN HEXAGON BOX ARE INCLUDED IN BOTH ASSEMBLY AND REPAIR KITS. SEE TABLE (R/K) FOR REPLACEMENT PART NO.
  - PRESSURE RATING: 0 - 500 PSI
  - TEMP. RATING: -30°F TO 225°F STD. (300°F OPT. SEALS)

REPAIR KITS (R/K)	
MATERIAL	PART NO.
BUNA - N	25-0101
VITON	25-0901



SECTION A-A

THIS DOCUMENT AND ITS CONTENTS ARE THE PROPERTY OF LEXAIR, INC. THEY ARE FURNISHED TO YOU ON THE FOLLOWING CONDITIONS: NO RIGHT OR LICENSE IN RESPECT OF THIS DOCUMENT OR ITS CONTENTS IS GIVEN OR WAIVED IN SUPPLYING THE DOCUMENT TO YOU. THIS DOCUMENT OR ITS CONTENTS ARE NOT TO BE USED OR TREATED IN ANY MANNER INCONSISTENT WITH THE RIGHTS OF LEXAIR, INC. OR TO ITS DETRIMENT AND ARE NOT TO BE COPIED, REPRODUCED, OR DISCLOSED OF, EXCEPT WITH ITS PRIOR WRITTEN CONSENT.

**REVISIONS**

<b>A</b>	REDRAWN TO CURRENT ENGINEERING STANDARDS ECL: 99233 JDR 11-08-99
<b>B</b>	REDRAWN TO CURRENT ENGINEERING STANDARDS ECL: 21036 TES 06-23-21

Tolerances Unless Otherwise Specified:		
TYPE	FINISHED	AS CAST
DEC .00	± .015	± .030
DEC .000	± .005	± .010
FRACTIONAL	± 1/64	± 1/32
ANGLES	± 1/2°	± 1°

MATERIAL SPEC.  
SEE TABLE  
PROCESS SPEC.

PC. NO. 550112

MADE FROM

**3/4" NPT CHECK VALVE**

**B 550112**

CAD FILE 550112.drw



DRAWN	CHECKED	APRVD.
JDR	MFM	MFM
11-08-99	12-20-99	12-20-99

SHEET NO. 1 of 1 SHEETS  
SCALE 1:1  
APPROX. WT. 2.080 LBS